



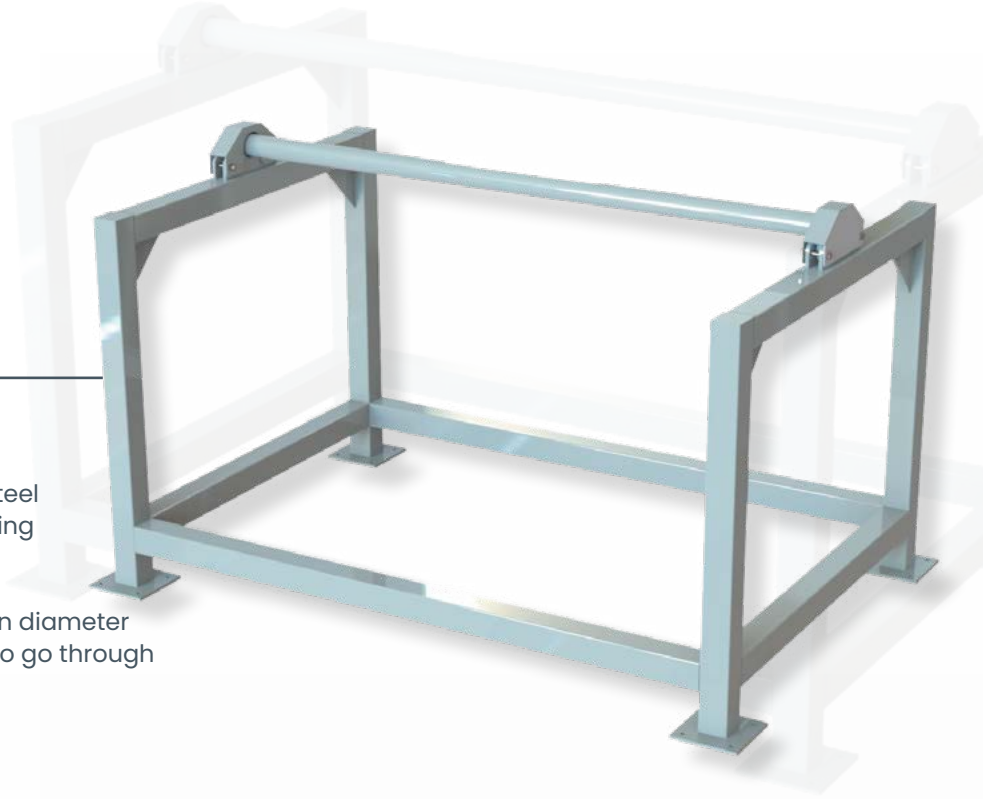
Heavy-Duty
Storage

Item code: 13597

Heavy-Duty Reel Dispensing Frame

→ Standard Features ◦

- 1300 kg working load limit
- Manufactured from 75 mm x 75 mm steel
- Heavy-duty custom-made roller bearing system with cover for smooth dispensing of cable
- Designed to take cable reel 1300 mm in diameter
- Supplied with 50 mm solid round bar to go through reel to hook reel into frame



→ Specifications ◦

CODE	HEIGHT	WIDTH	DEPTH
13597	2000 mm	1800 mm	1200 mm